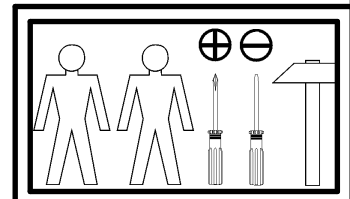
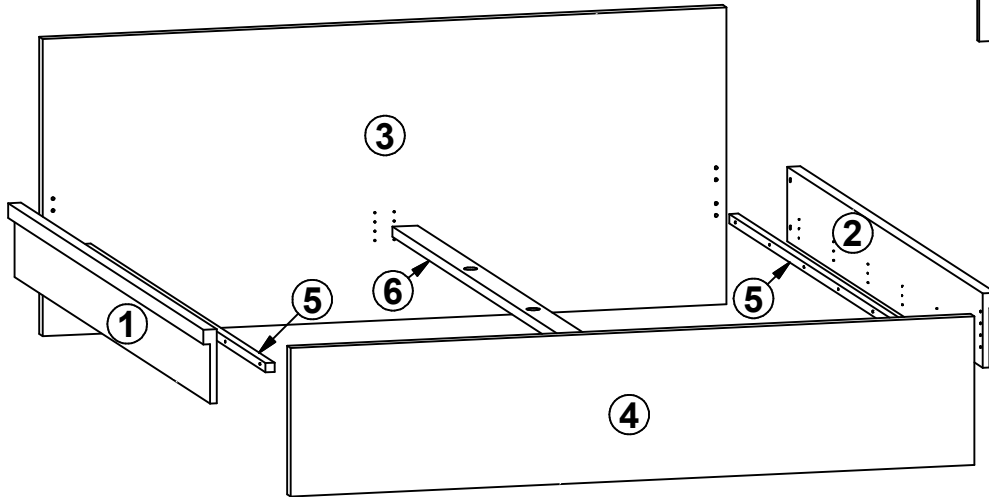
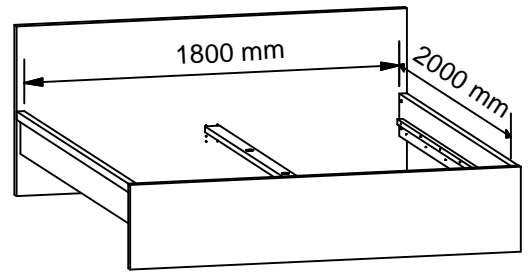
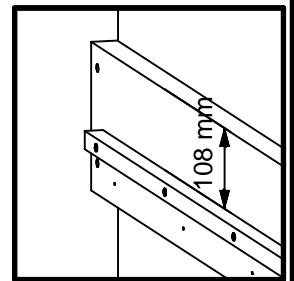
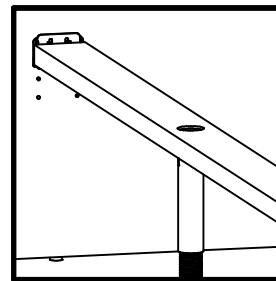
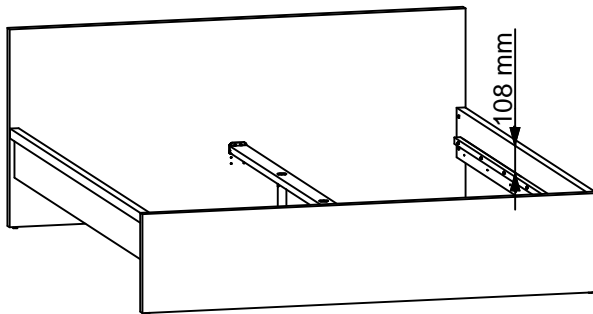


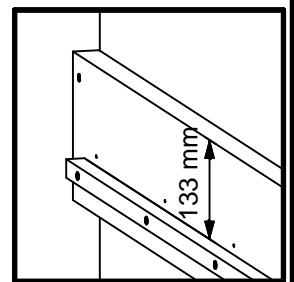
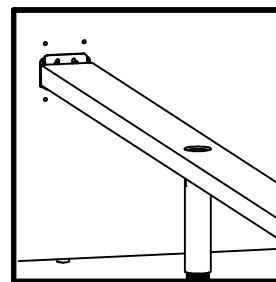
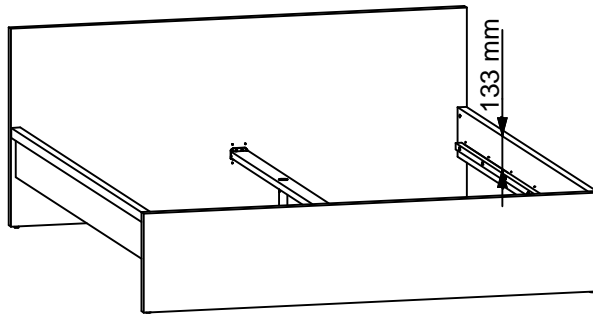
A	B	C	D	
1	L26-101	2000	200	1/2
2	L26-102	2000	200	1/2
3	L26-401	1874	800	2/2
4	L26-402	1874	400	2/2
5	ZZ1-709	1880	25	1/2
6	ZZ1-745	1983	70	1/2



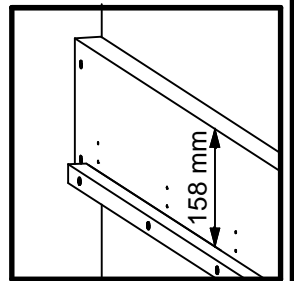
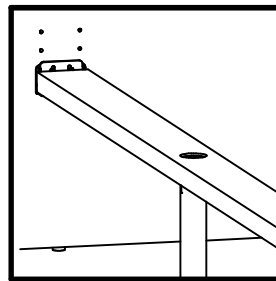
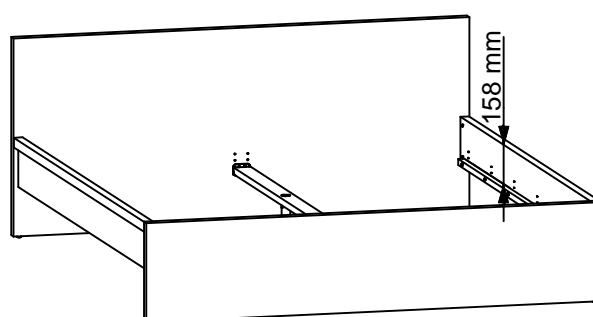
A



B

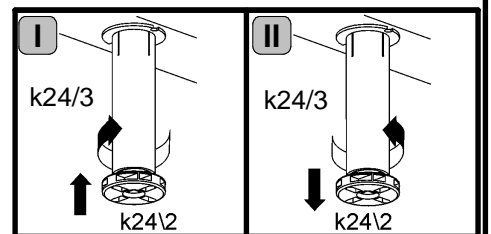
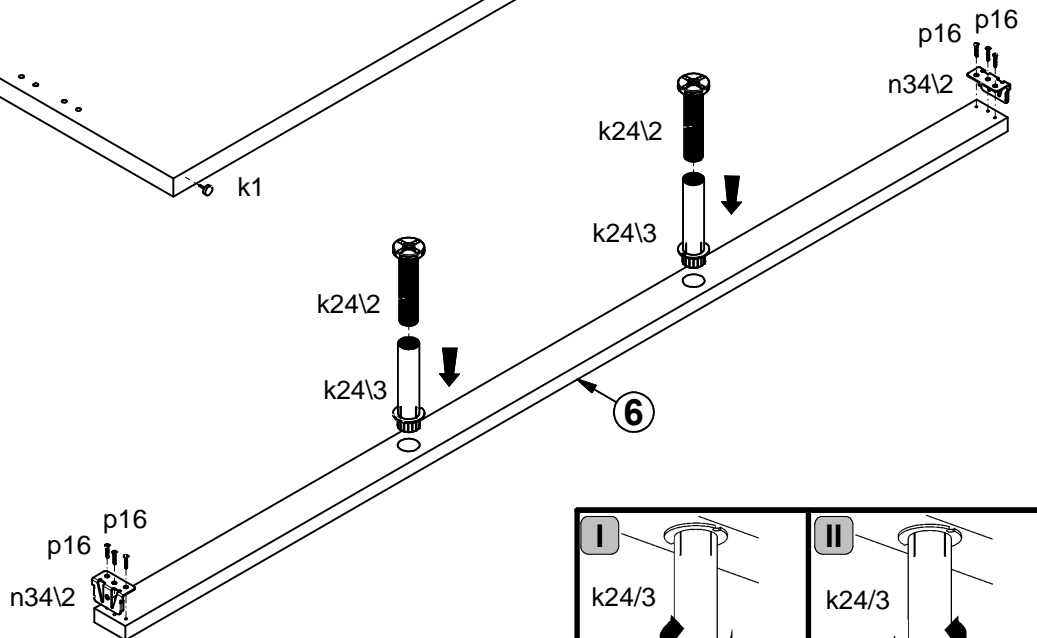
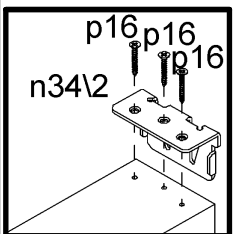
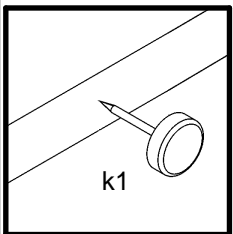
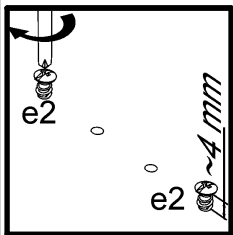
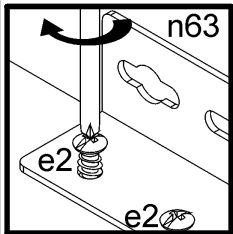
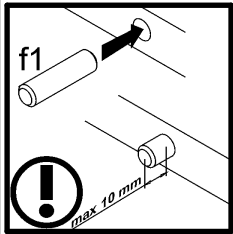
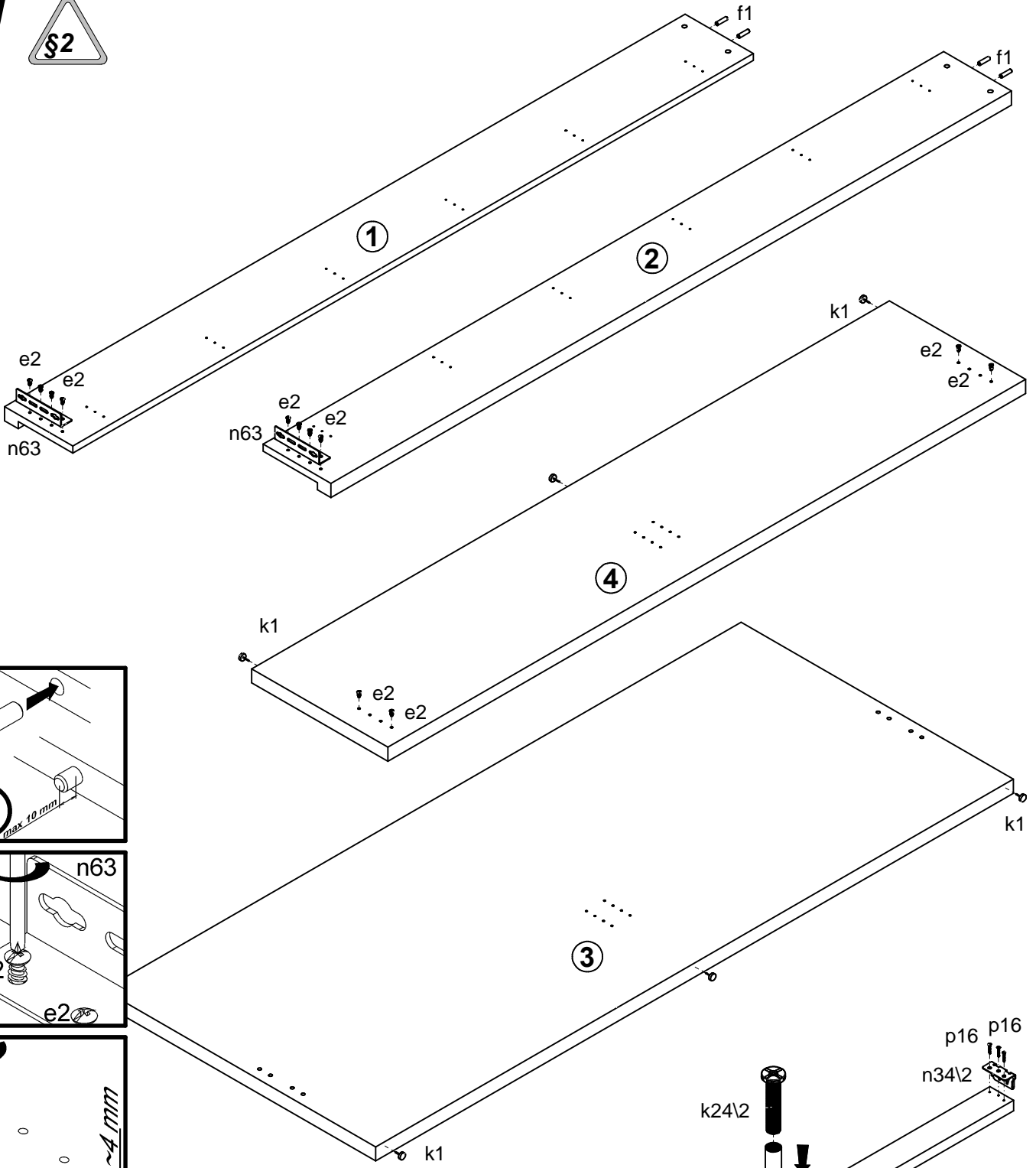


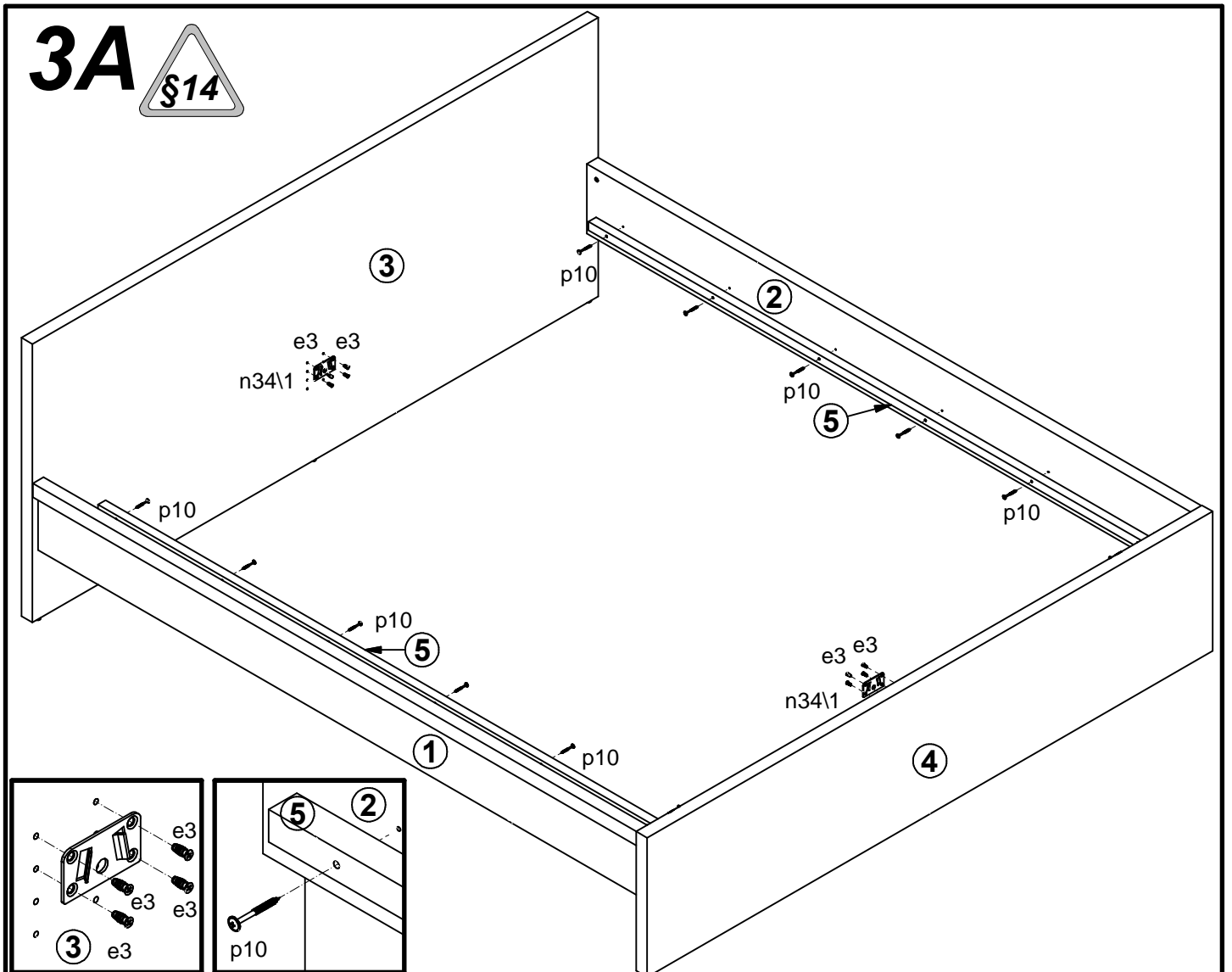
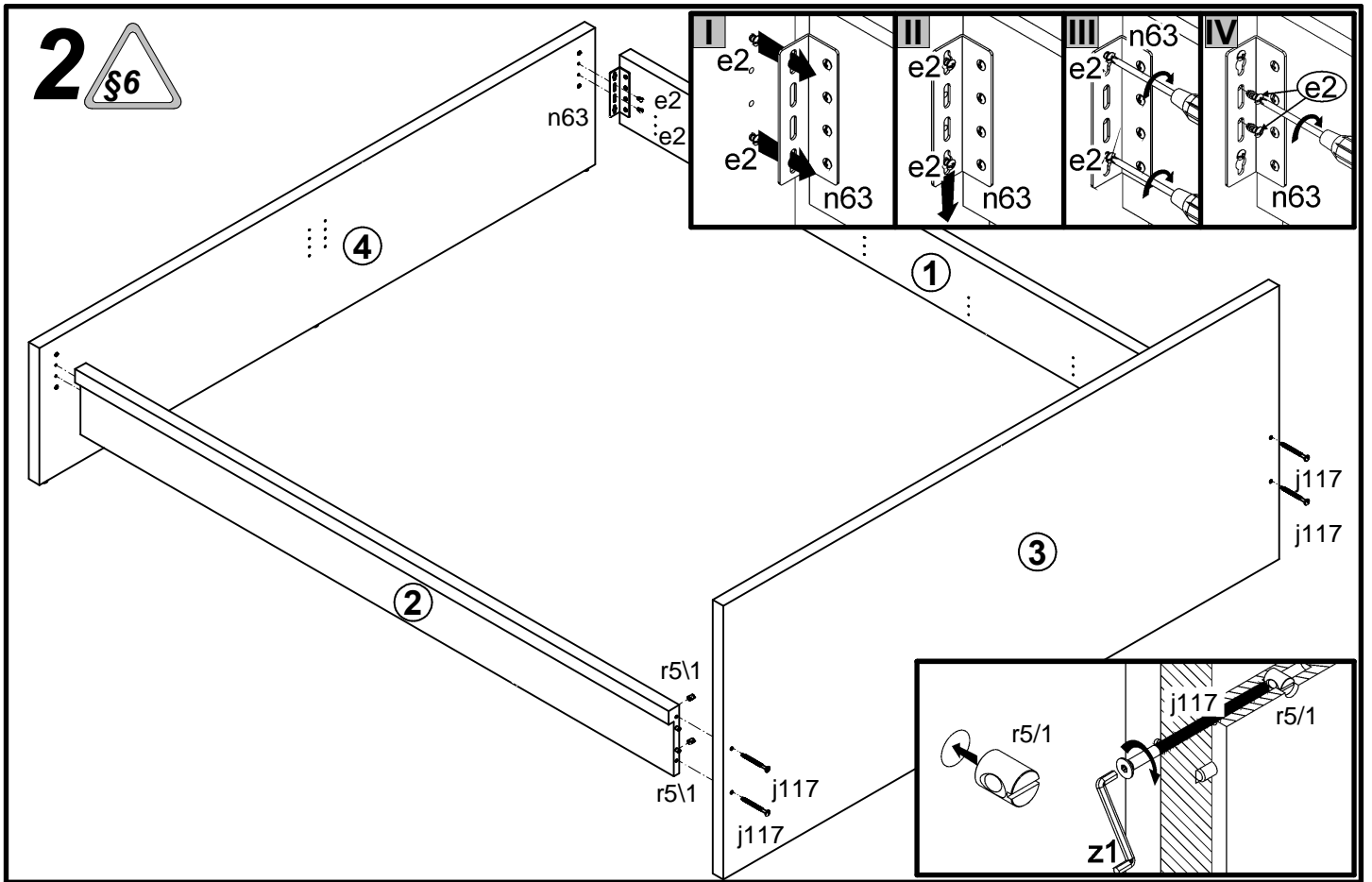
C



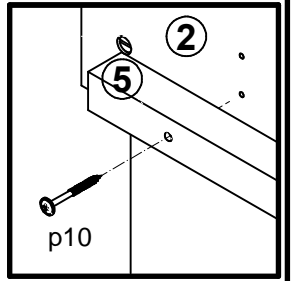
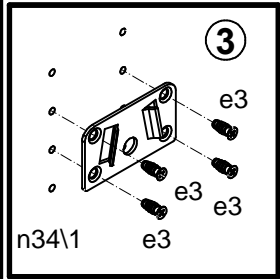
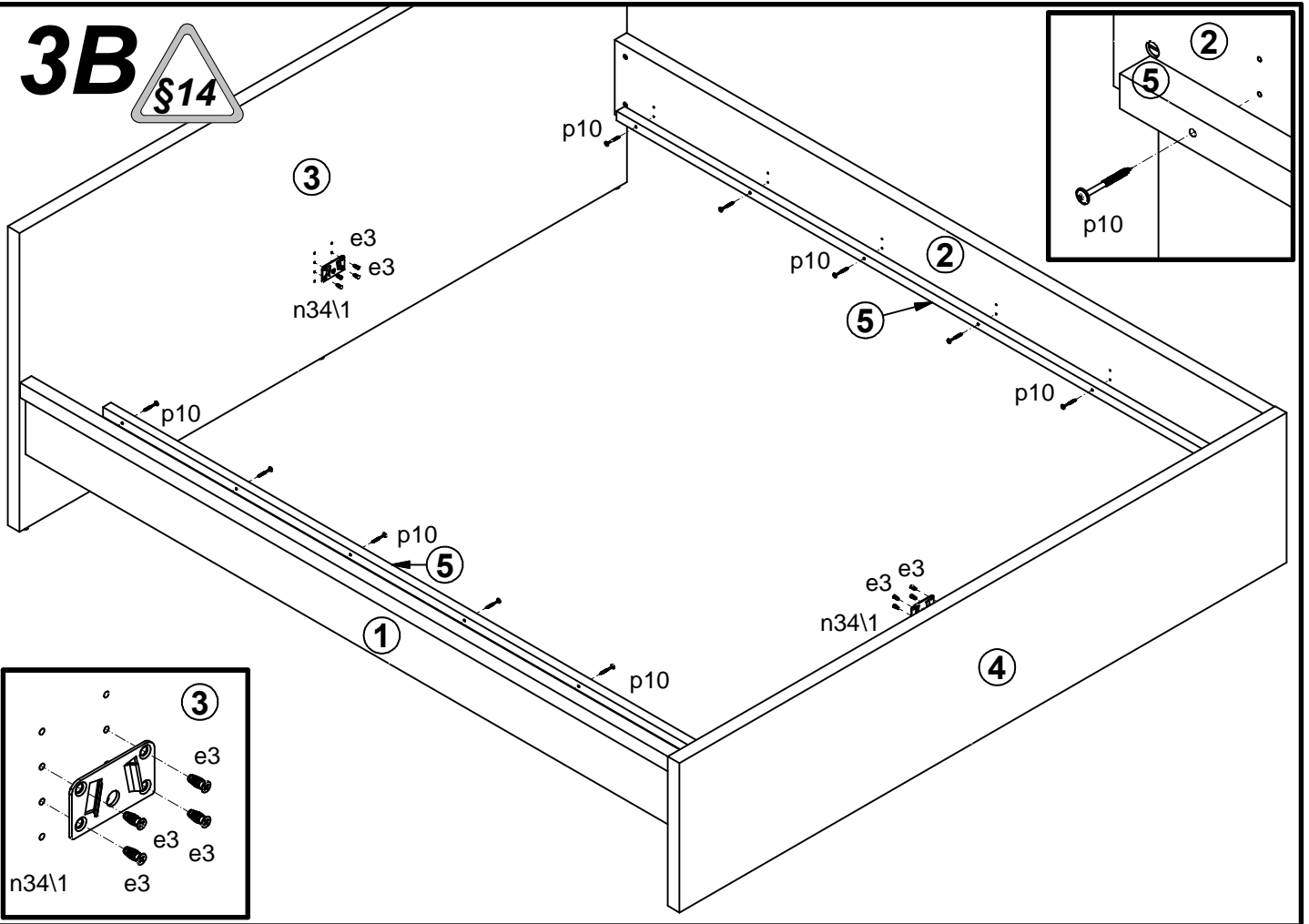
16x Ø6.3x13 mm e2	8x Ø6x13 mm e3	4x Ø8x30 mm f1	4x M6x84 mm j117	6x k1	2x k24/2	2x k24/3	2x n34/1	2x n34/2
2x 130x34x34/2 mm n63	6x Ø4x35 mm p6	12x Ø4x40 mm p10	6x Ø3.5x25 mm p16	4x Ø10x13 mm r5/1	1x z1			

1 





3B



3C

