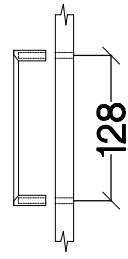
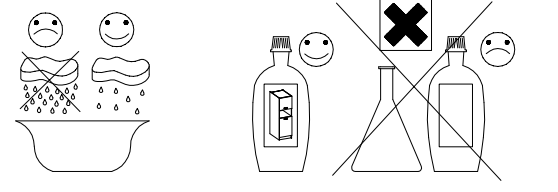
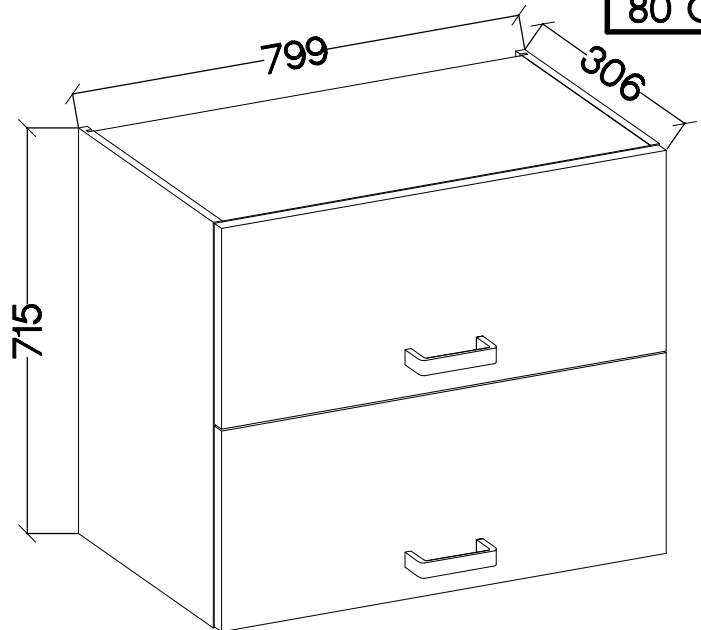
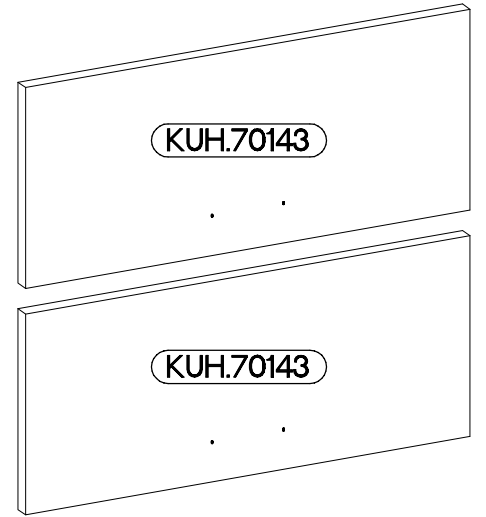
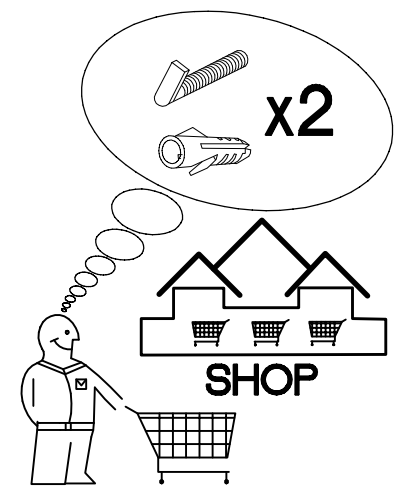
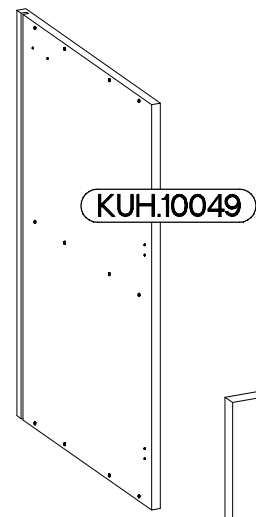
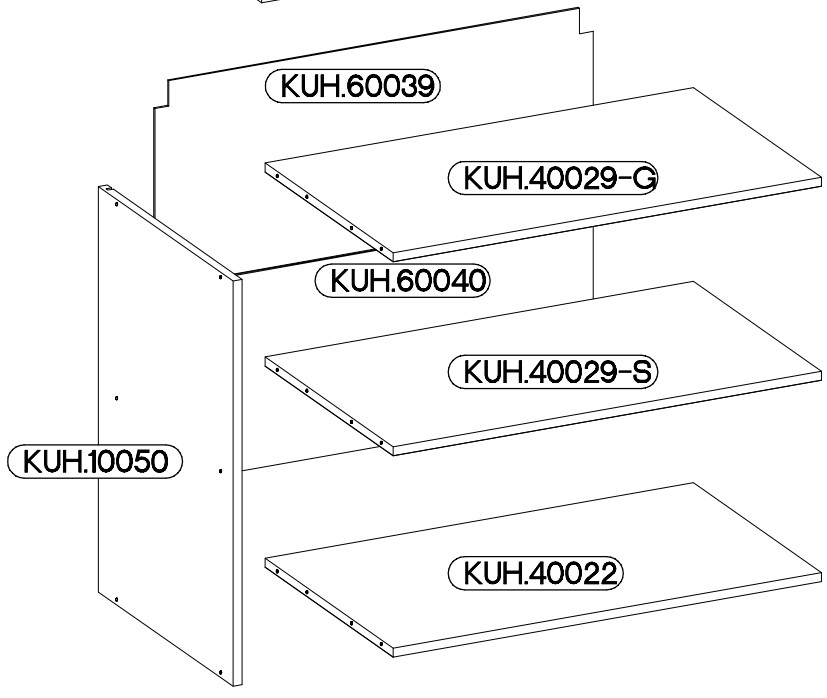


80 GU-72 2F

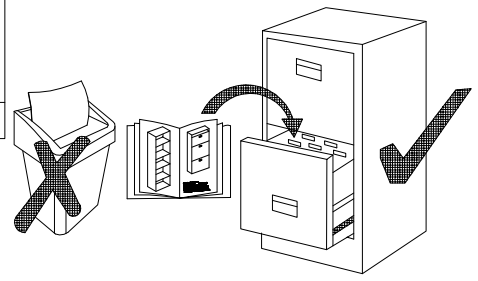


max. 5kg

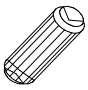
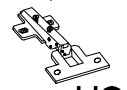


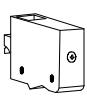
KUH.40029
KUH.40022

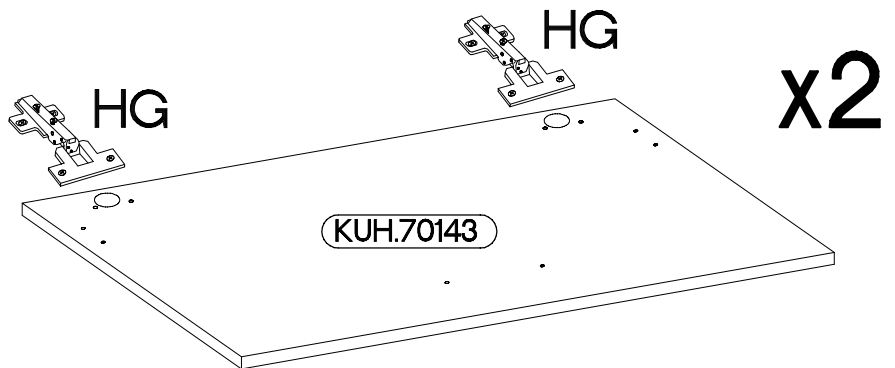
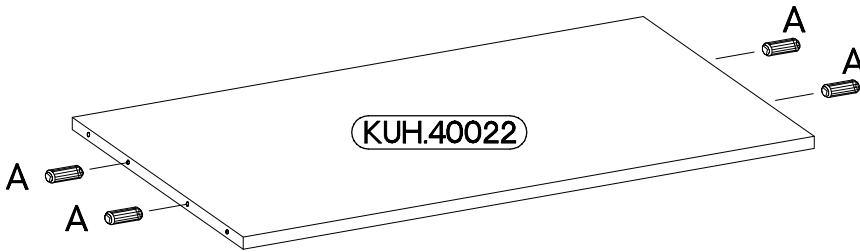
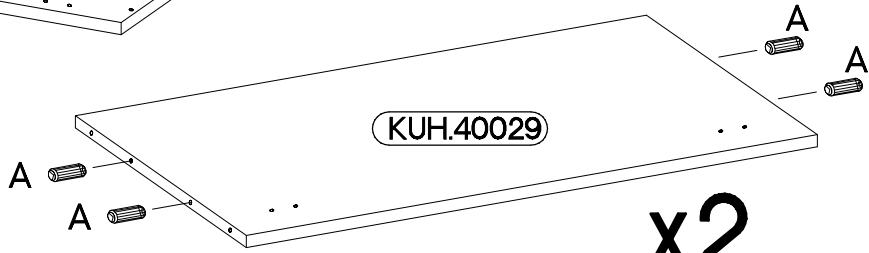
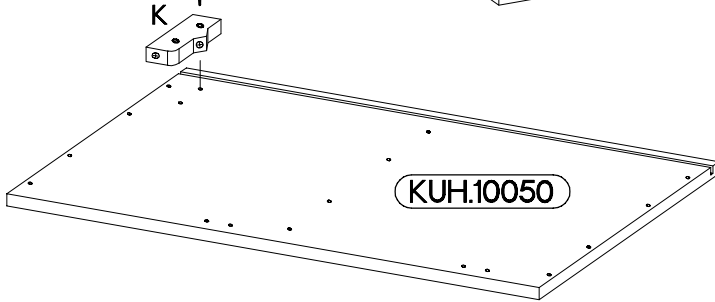
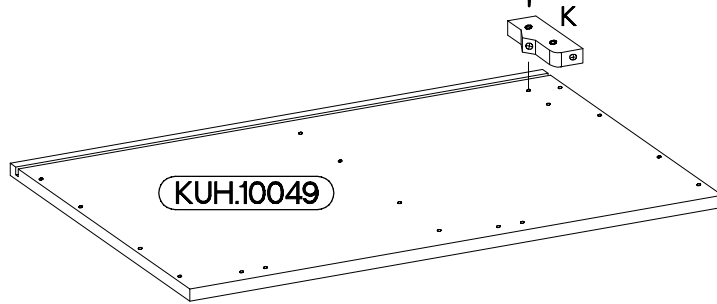
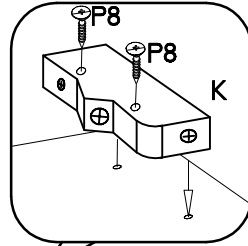
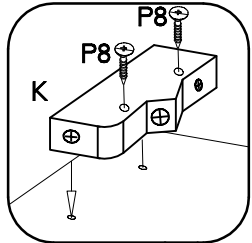
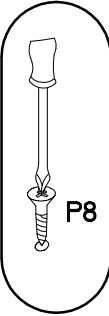
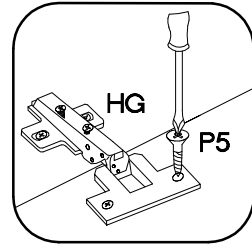
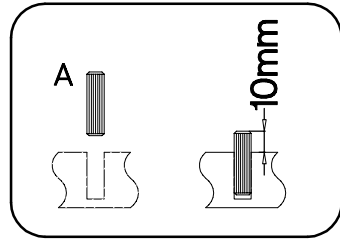
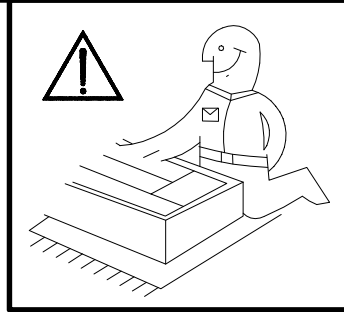


A 12	B 12	E1 12	HG 4	J5 4	K 2	K24 4	
L2 5	O 1	P5 8	P7 10-15	P8 4	S23 2	U 4	
+8x30mm		6,4 x 50mm		+35/0mm			
		+3.5x13mm		+3.0x20mm		+4.0x30mm	
		M4x22mm					



ISM-KUH-00926

±8x30mm  A 12	±35/0mm  HG 4	±3.5x13mm  P5 8	±4.0x30mm  P8 4	 K 2
--	--	--	--	--



2

6,4 x 50mm



B

6



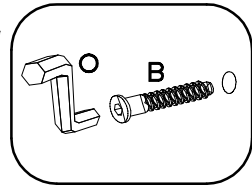
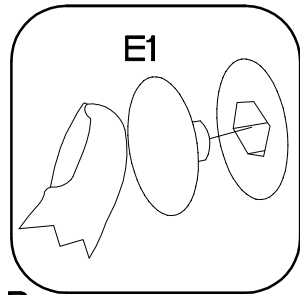
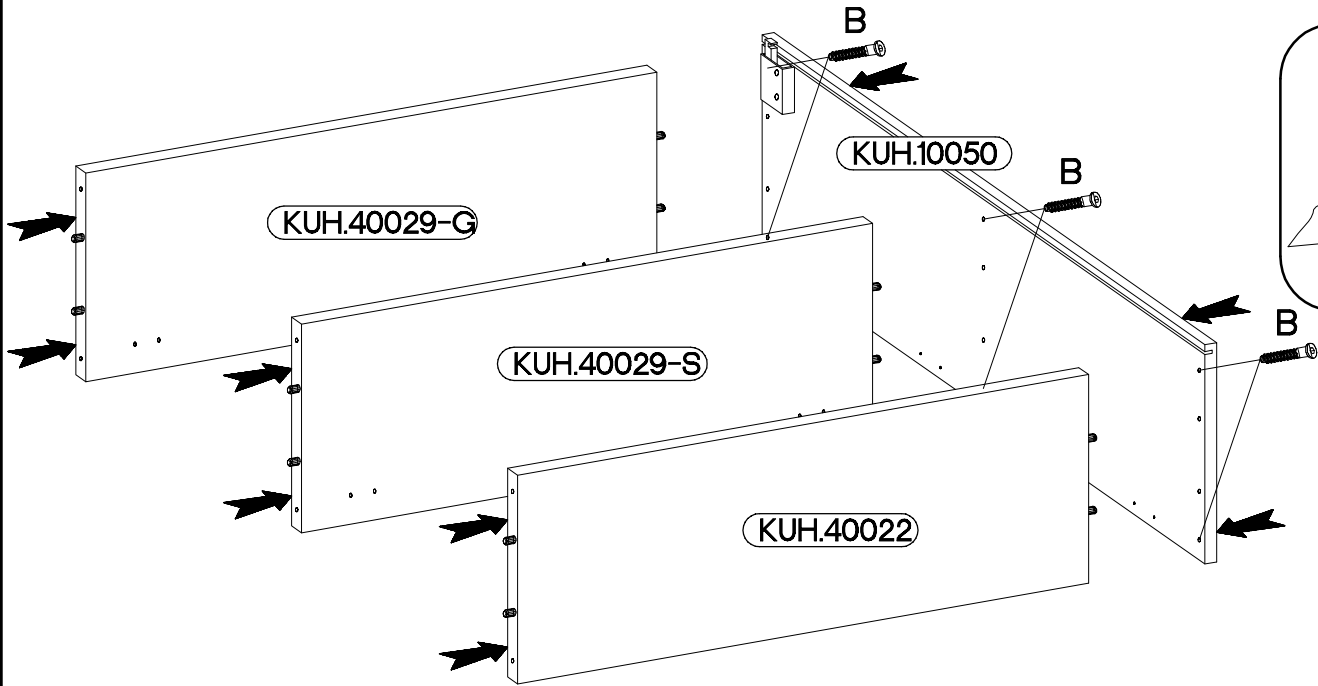
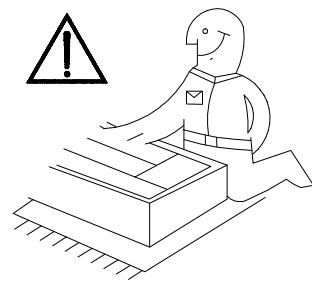
O

1



E1

6



3

6,4 x 50mm



B

6



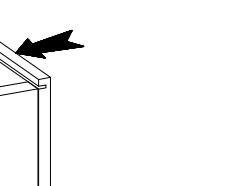
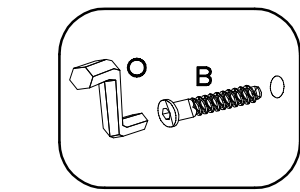
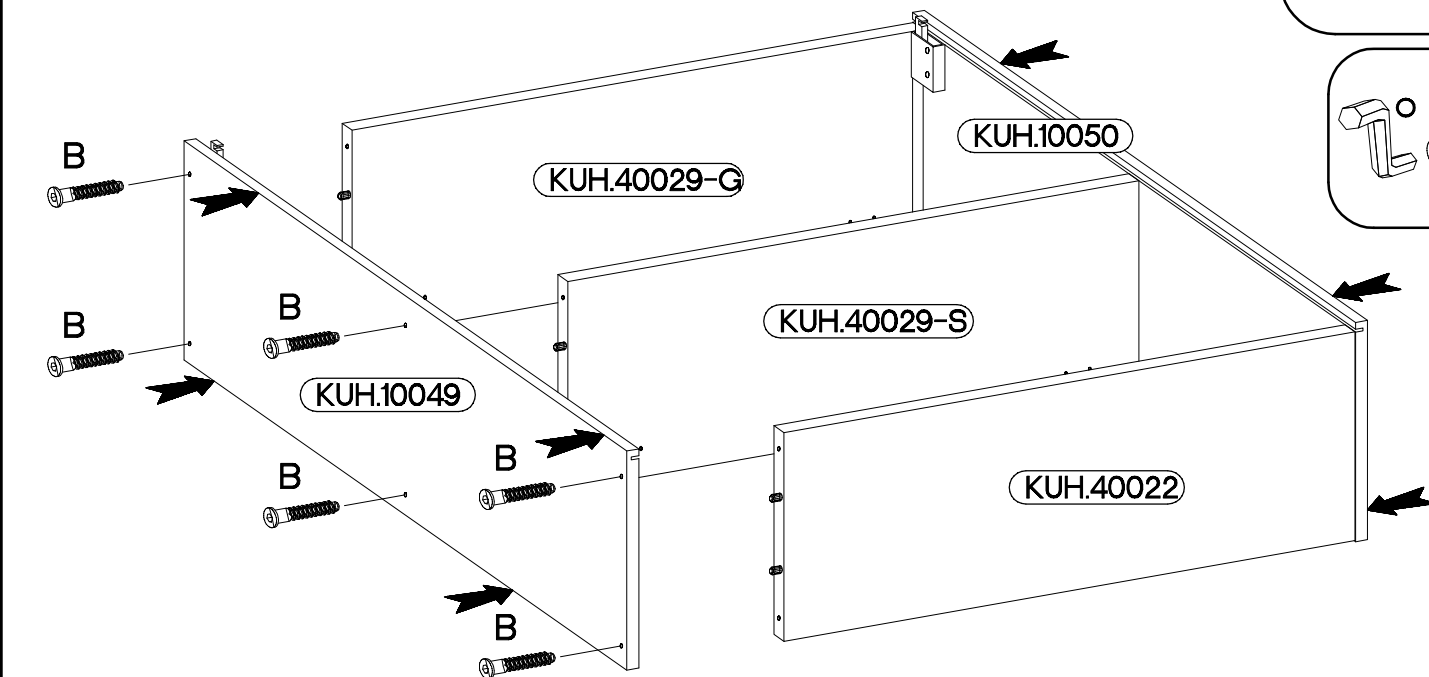
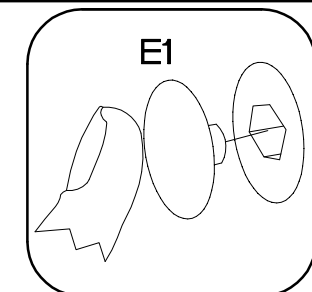
O

1

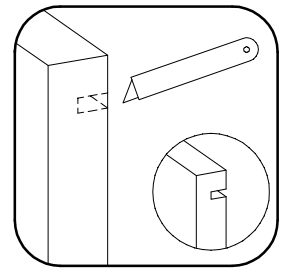
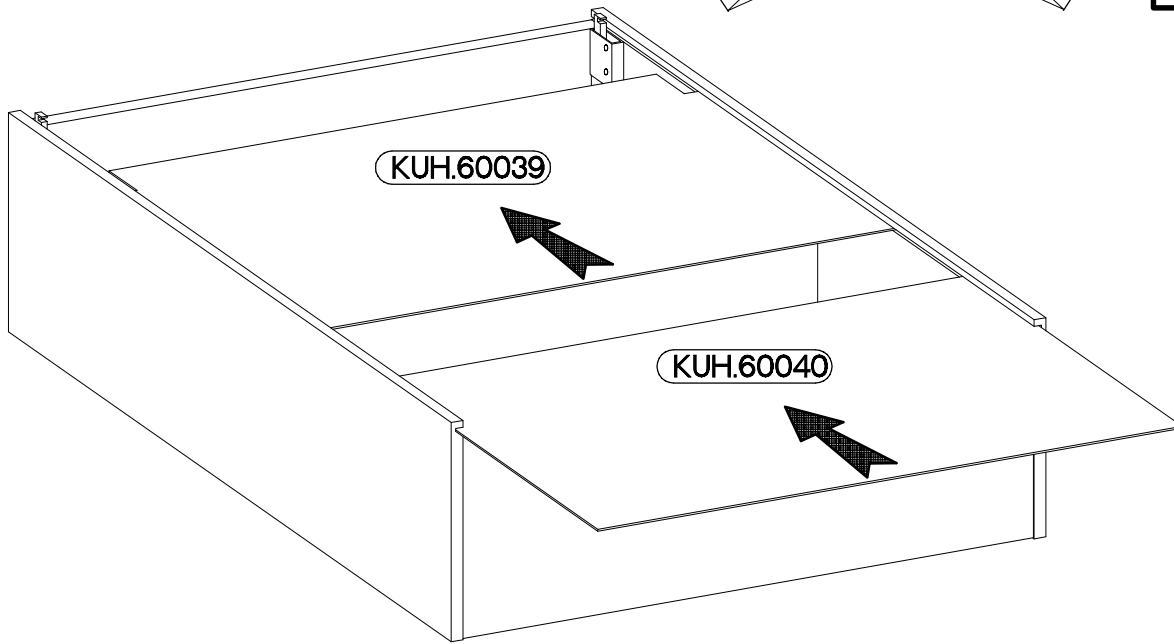
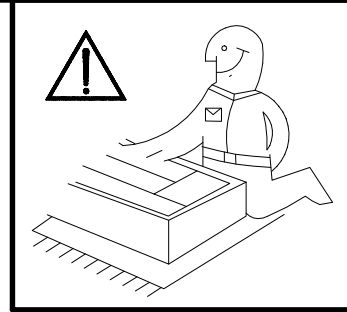
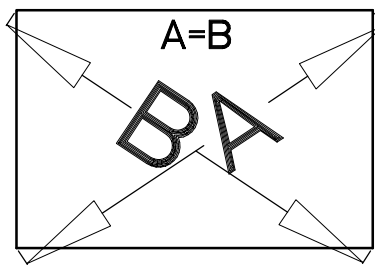


E1



6

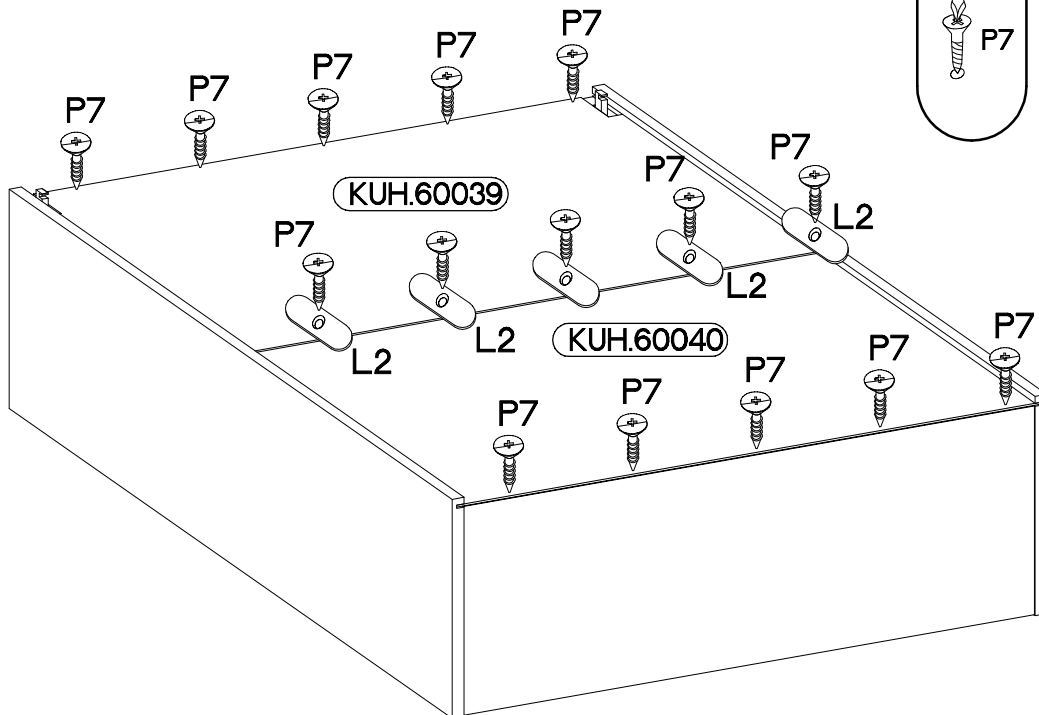
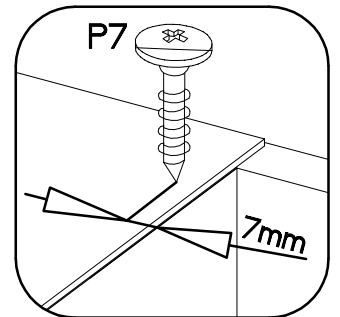
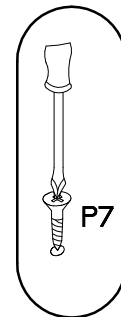


4

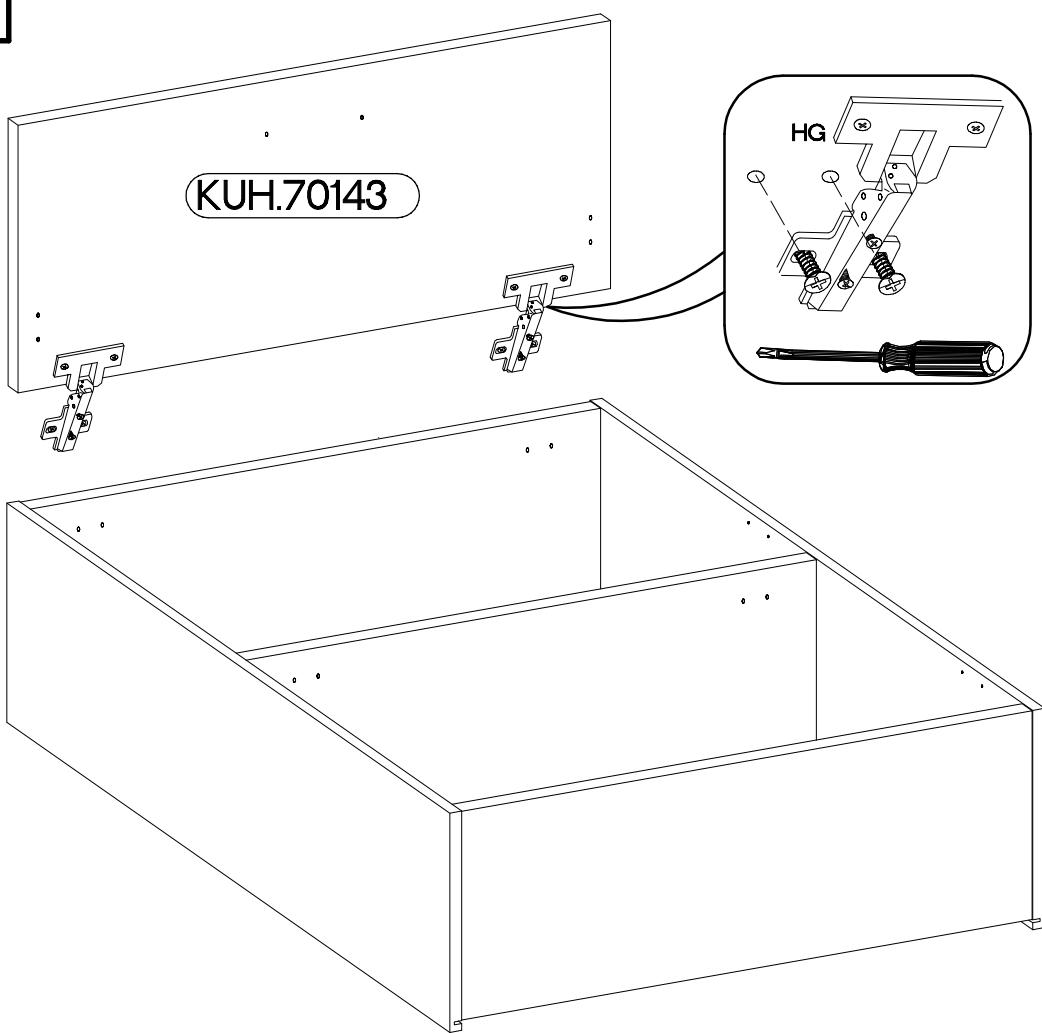
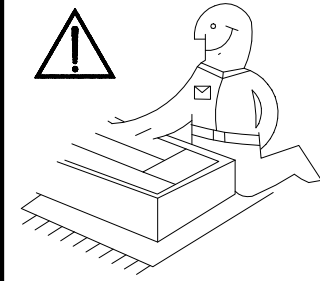


5

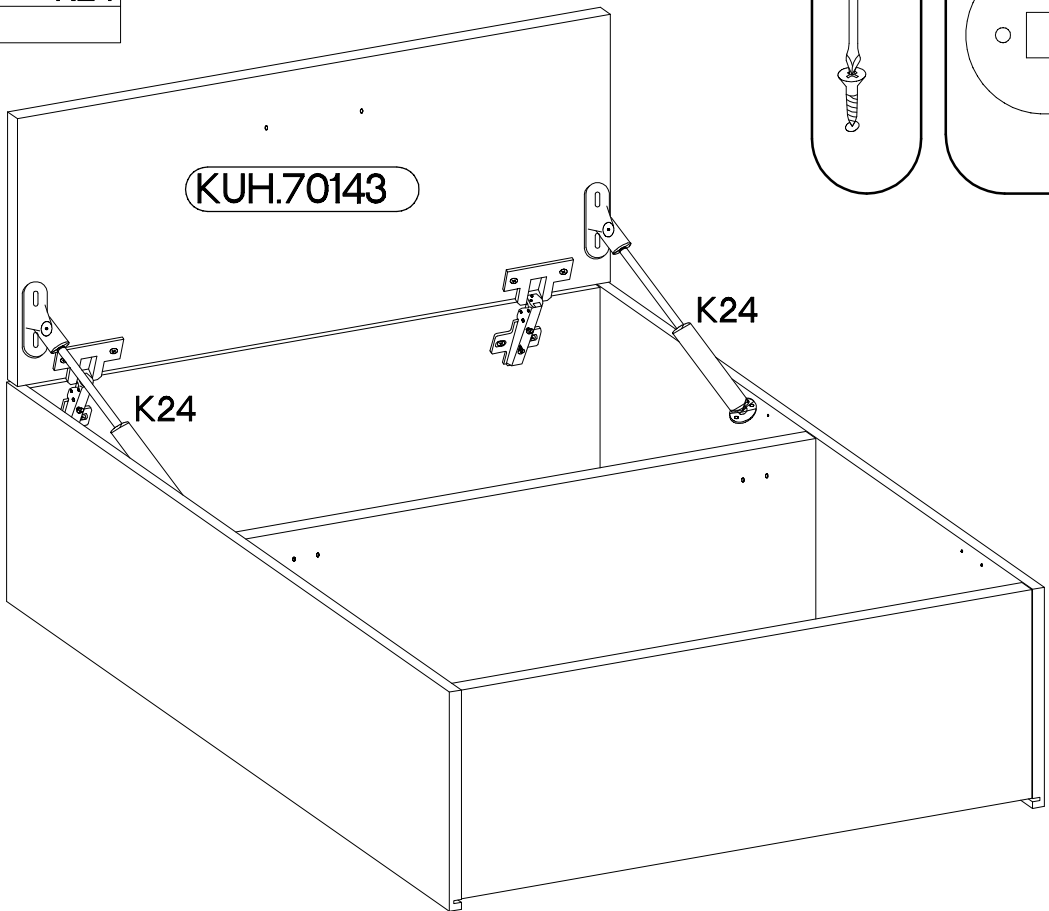
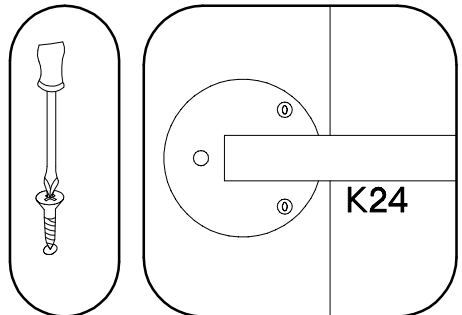
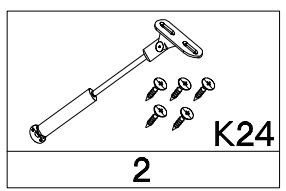
†3.0x20mm  P7 10-15	 L2 5
---	--



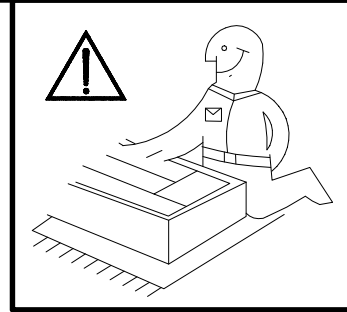
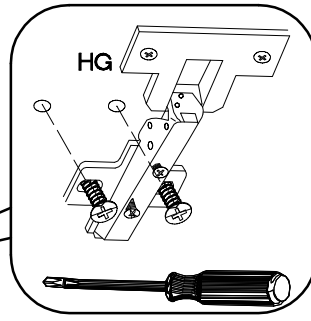
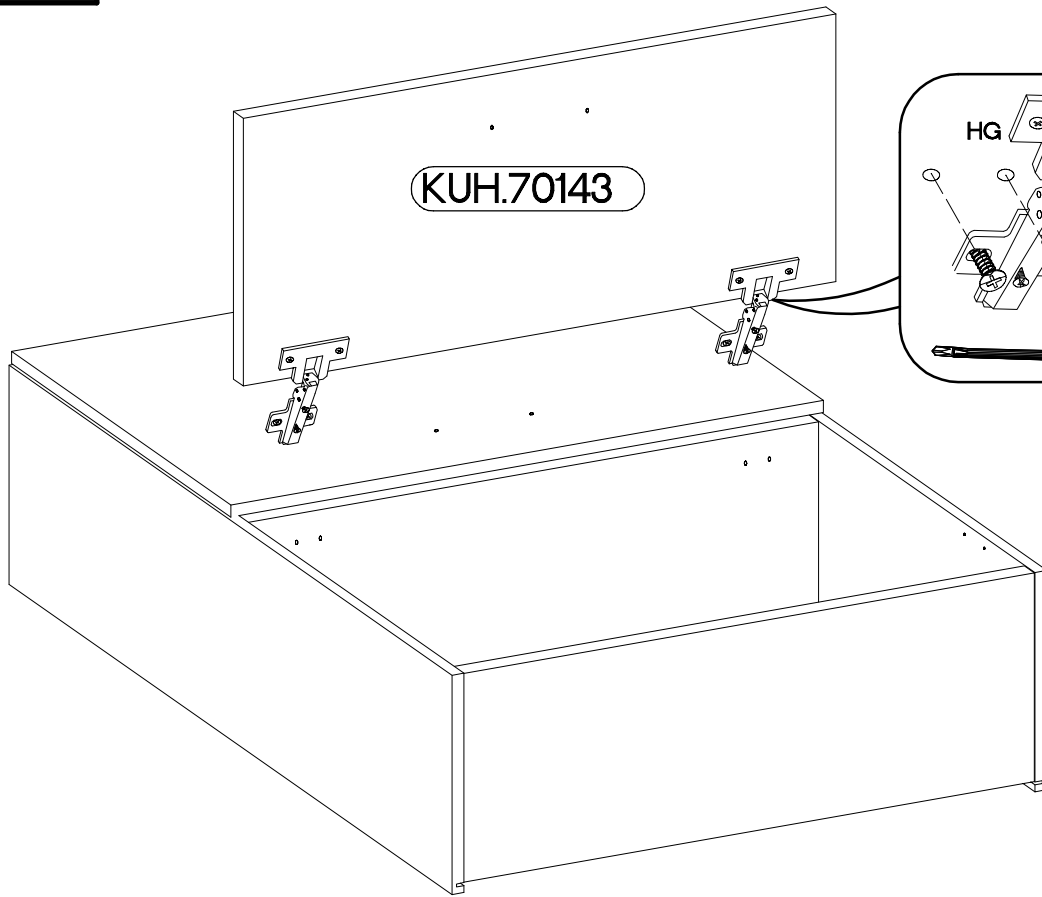
6



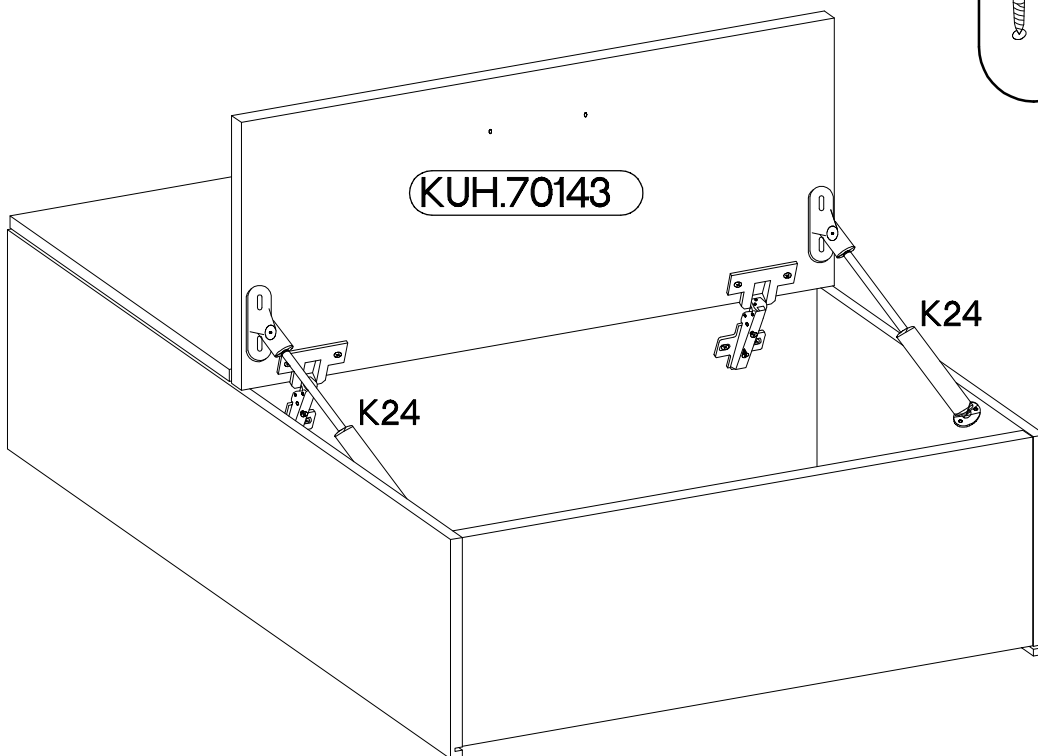
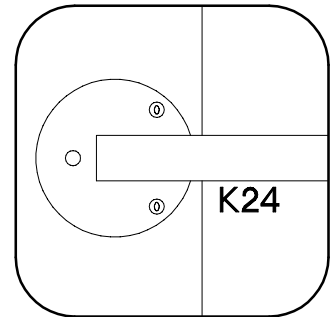
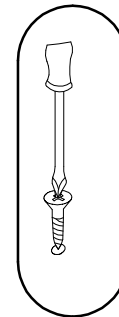
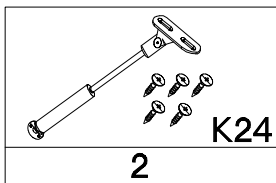
7






8



9



M4x22mm			
	U	S23	J5
	4	2	4

